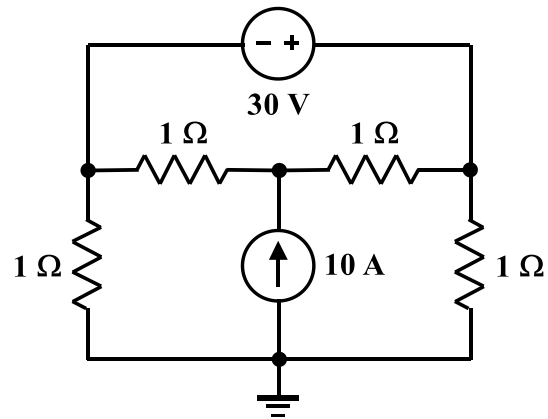


EE 4474/5574  
**Homework Problem #010**



(a) Develop mesh equations and express them in the standard matrix form.

(b) Solve the equations and determine whether the 30 V source is *delivering* or *absorbing* power, and how much.