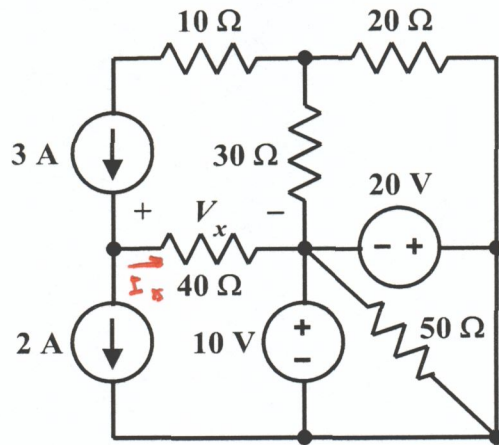


EE 2240
Problem #07

Determine the value of V_x .



$$I_x = 3A - 2A = 1A \quad (\text{KCL})$$

$$V_x = (40\Omega) I_x = 40V$$