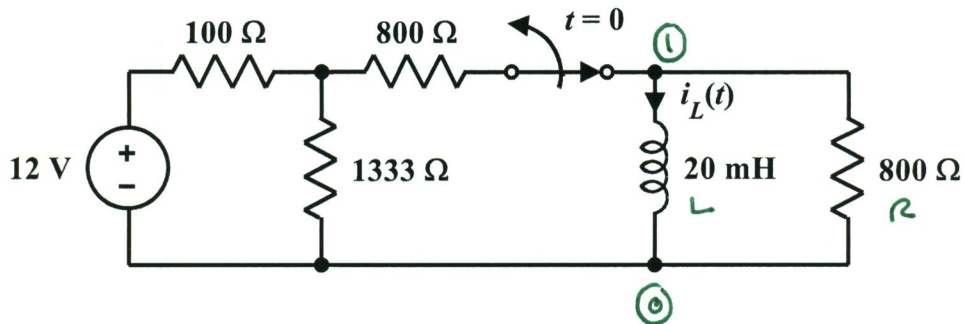


EE 2240
Problem #07

The switch has been closed for a long time before being opened at $t=0$. Find an analytical expression for $i_L(t)$ for $t \geq 0$. Also use SPICE-based simulation software to plot $i_L(t)$ for $0 \leq t \leq 5\tau$, where τ is the circuit time constant for $t > 0$.



$$1333\Omega \parallel 800\Omega = 500\Omega$$

$$\Rightarrow i_L(0^-) = \frac{\left(\frac{500}{100+500}\right)(12V)}{800\Omega} = \frac{25}{2} \text{ mA}$$

For $t \geq 0$:

$$\tau = \frac{20\text{mH}}{800\Omega} = 25\mu\text{s}$$

$$i_L(t) = \frac{25}{2} e^{-t/25 \times 10^{-6}} \text{ mA}$$

$$= 12.5 e^{-40000t} \text{ mA}, t \geq 0$$

The input file for PSpice is:

```

Problem #07
L 1 0 20m IC=12.5m
R 1 0 800
.TRAN 1u 125u 0 1u UIC
.PROBE          ↑ 5τ = 125μs
.END
    
```

See the next page for the output.

Problem #07

