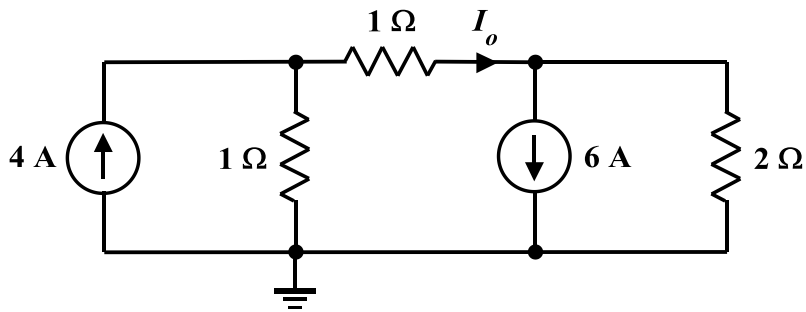


EE 2240  
Problem #08



- a. How many equations are necessary to analyze this circuit by the nodal analysis method?

Use the method discussed in class to:

- b. Develop the node equations describing the circuit. Note that the reference node is pre-determined.

- c. Write the node equations in the matrix form discussed in class.

- d. Solve the node equations.

- e. Determine the value of  $I_o$ .