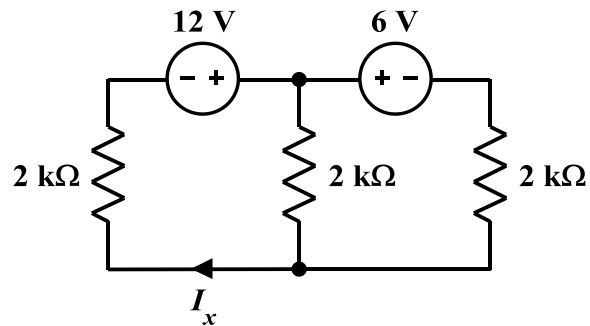


EE 2240
Problem #02



- a. How many equations are necessary to analyze this circuit by the mesh analysis method?

Use the method discussed in class to:

- b. Develop the mesh equations describing the circuit.

- c. Write the mesh equations in the matrix form discussed in class.

- d. Solve the mesh equations to determine the value of I_x .