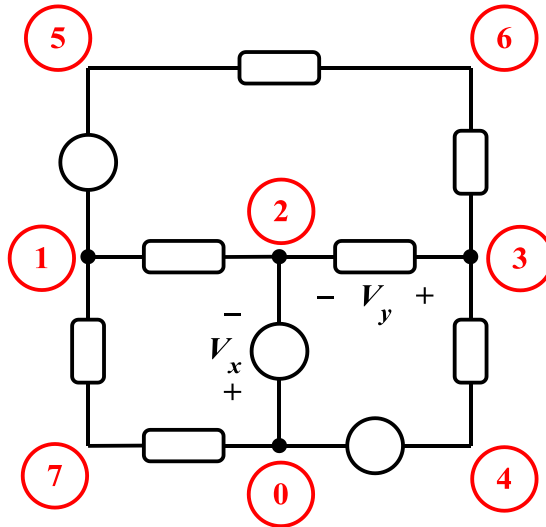


EE 2240
Problem #04

Given the circuit shown below, with $V_{10} = 2\text{ V}$, $V_{20} = 4\text{ V}$, $V_{30} = 7\text{ V}$, $V_{40} = 11\text{ V}$, $V_{50} = 16\text{ V}$, $V_{60} = 22\text{ V}$, and $V_{70} = 29\text{ V}$:



a. Determine the value of V_x .

b. Determine the value of V_y .