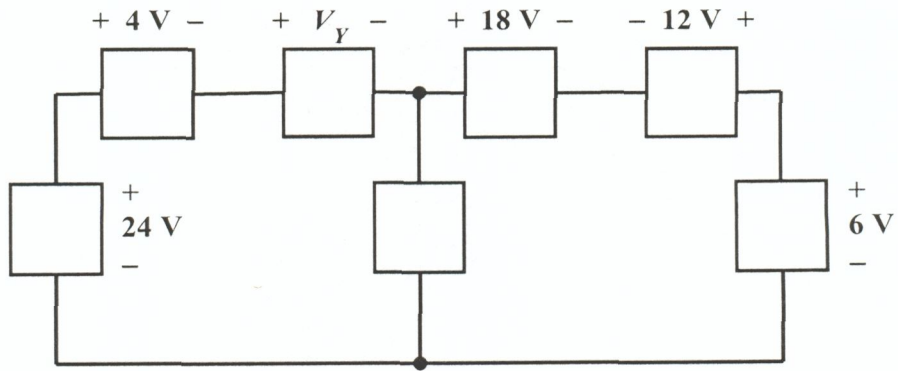


EE 2240  
Problem #02

Determine the numerical value of  $V_y$ .



$$\text{KVL: } -24\text{V} + 4\text{V} + V_y + 18\text{V} - 12\text{V} + 6\text{V} = 0$$

$$\Rightarrow V_y = 8\text{V}$$