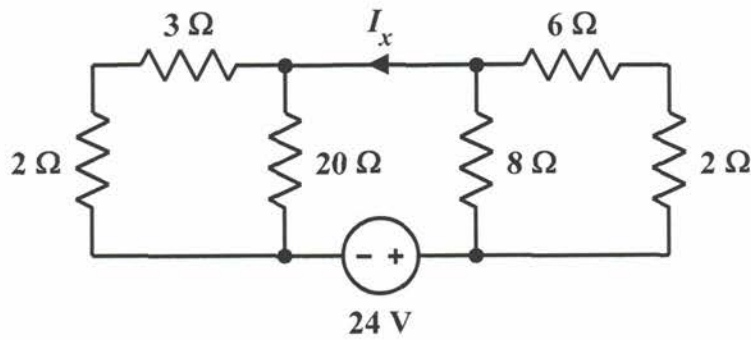


EE 2240  
Problem #07

Determine  $I_x$ .



$$2\ \Omega + 3\ \Omega = 5\ \Omega$$

$$6\ \Omega + 2\ \Omega = 8\ \Omega$$

$$5\ \Omega \parallel 20\ \Omega = 4\ \Omega$$

$$8\ \Omega \parallel 8\ \Omega = 4\ \Omega$$

$$I_x = \frac{24\text{V}}{4\ \Omega + 4\ \Omega} = 3\text{A}$$