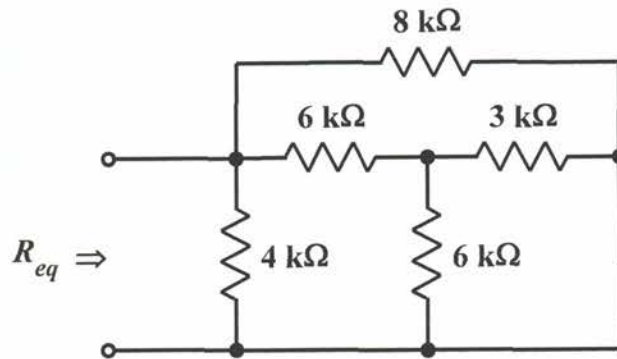


EE 2240

**Problem #04**

Find the equivalent resistance,  $R_{eq}$ .



$$3k\Omega \parallel 6k\Omega = 2k\Omega$$

$$6k\Omega + 2k\Omega = 8k\Omega$$

$$8k\Omega \parallel 8k\Omega = 4k\Omega$$

$$R_{eq} = 4k\Omega \parallel 4k\Omega = 2k\Omega$$