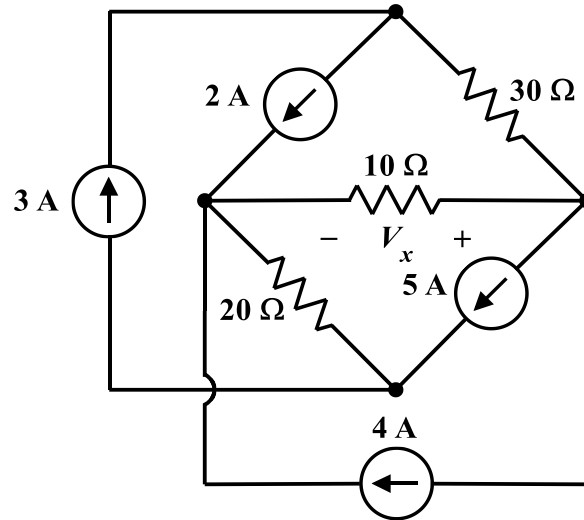


EE/EET 2240
Homework Problem #046



Use PSpice to determine the value of V_x . Submit a complete printed copy of your output file, and highlight the answer in some obvious manner. (Don't forget to put a personal identifier in the title line of your input circuit description file – also called the netlist).