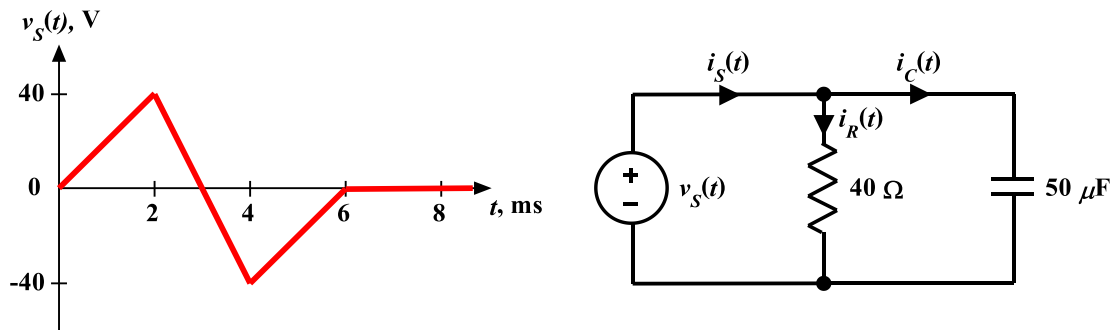


EE/EET 2240
Homework Problem #041



The circuit and source voltage are the same as those in Homework Problem #040.

a. Accurately sketch the waveform for the power absorbed by the resistor.

b. Accurately sketch the waveform for the capacitor charge, $q_C(t)$.