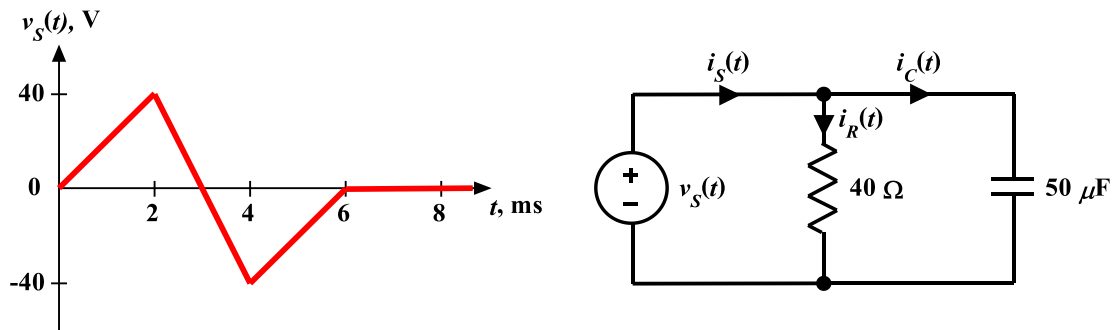


EE/EET 2240
Homework Problem #040



The independent voltage source is described by the plot shown.

a. Accurately sketch the waveform for the capacitor current, $i_C(t)$.

b. Accurately sketch the waveform for the resistor current, $i_R(t)$.

c. Accurately sketch the waveform for the source current, $i_s(t)$.