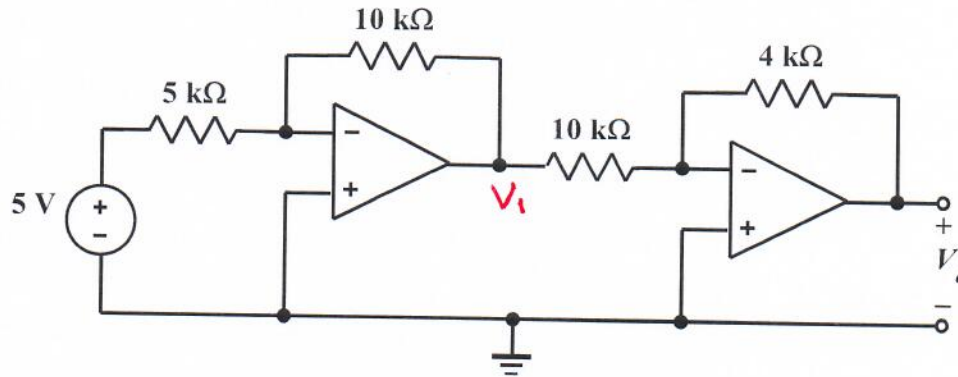


EE/EET 2240
Homework Problem #037



The OpAmps are ideal. Determine the value of V_o .

$$V_i = - \frac{10 \text{ k}\Omega}{5 \text{ k}\Omega} \cdot (5 \text{ V}) = -10 \text{ V}$$

$$V_o = - \frac{4 \text{ k}\Omega}{10 \text{ k}\Omega} \cdot V_i = 4 \text{ V}$$