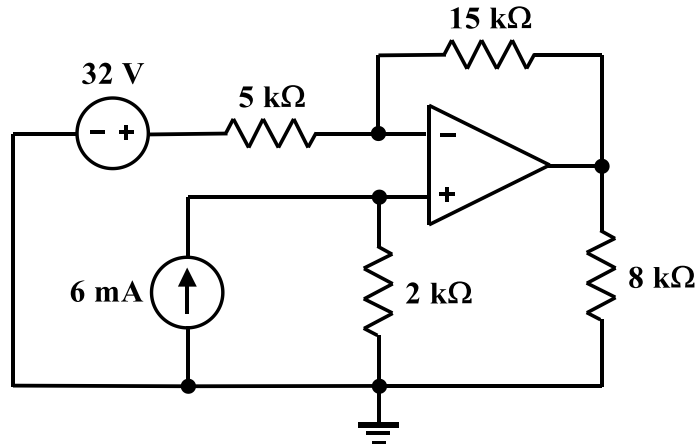


EE/EET 2240
Homework Problem #036



The OpAmp is ideal. Determine the amount of power absorbed by the 8 kΩ resistor.