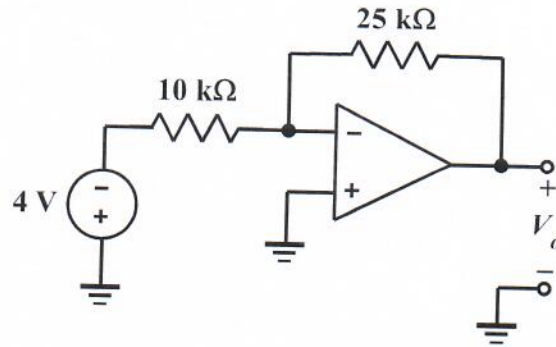


EE/EET 2240
Homework Problem #034



The OpAmp is ideal. Determine:

(a) The value of V_o .

This is an inverting amplifier, and

$$V_o = - \frac{25k\Omega}{10k\Omega} \cdot (-4V) = 10V$$

(b) The amount of power supplied by the independent voltage source.

$$P = (4V) \left(\frac{4V}{10k\Omega} \right) = 1.6 \text{ mW}$$