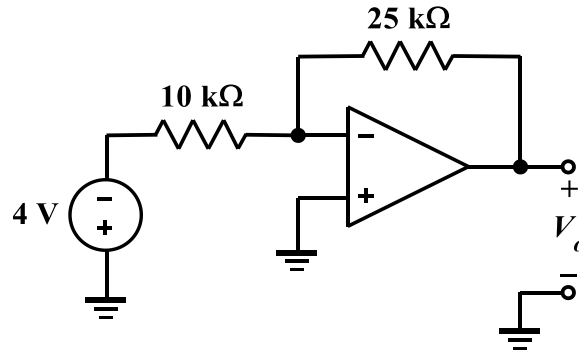


EE/EET 2240
Homework Problem #034



The OpAmp is ideal. Determine:

(a) The value of V_o .

(b) The amount of power supplied by the independent voltage source.