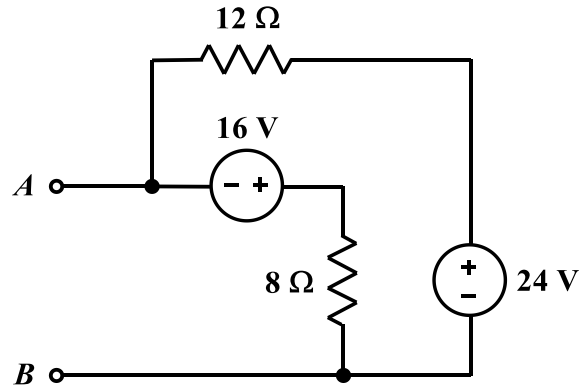


EE/EET 2240
Homework Problem #027



Find the Thévenin equivalent circuit with respect to terminals A and B.