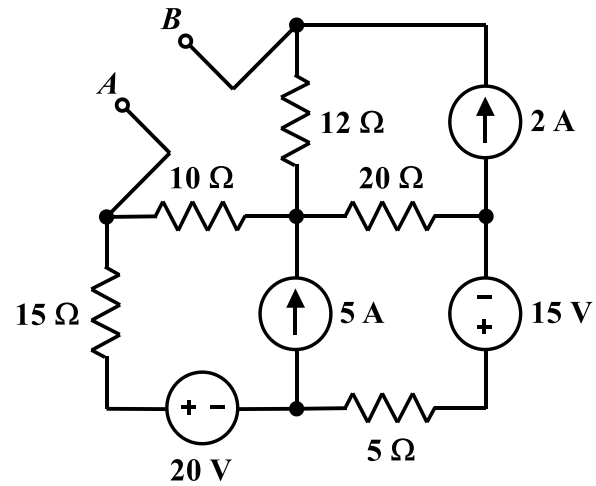


EE/EET 2240
Homework Problem #023



Use the superposition method to determine the value of V_{AB} .