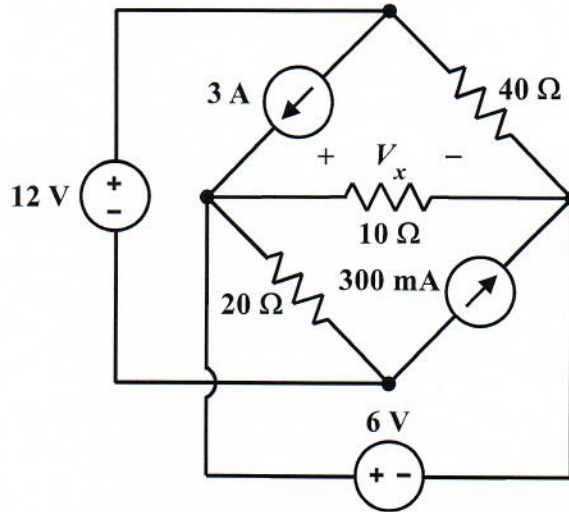
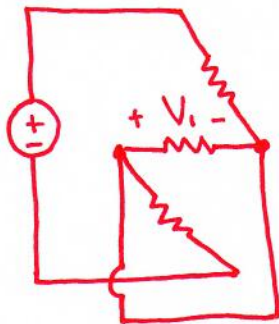


EE/EET 2240
Homework Problem #022



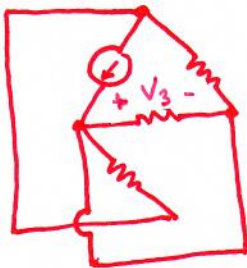
Use the superposition method to determine the value of V_x .



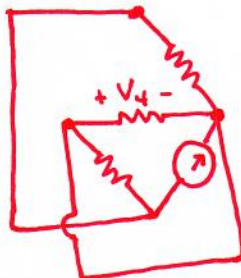
$$V_1 = 0$$



$$V_2 = 6V$$



$$V_3 = 0$$



$$V_4 = 0$$

$$\begin{aligned} V_x &= V_1 + V_2 + V_3 + V_4 \\ &= 0 + 6 + 0 + 0 \\ &= 6V \end{aligned}$$