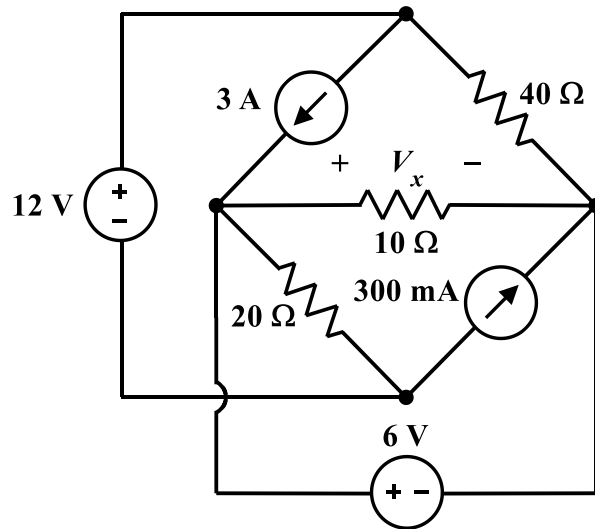


EE/EET 2240  
Homework Problem #022



Use the superposition method to determine the value of  $V_x$ .