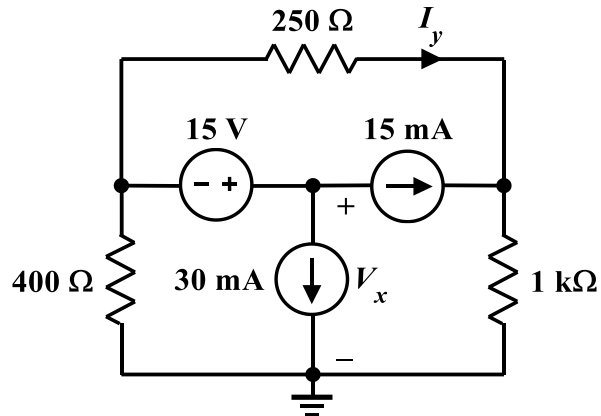


EE/EET 2240  
**Homework Problem 020**

Use LTspice to determine  $V_x$  and  $I_y$ .



Submit a complete printed copy of your netlist and the output, and highlight the answers in some obvious manner. (Don't forget to put a personal identifier in the title line of your netlist).