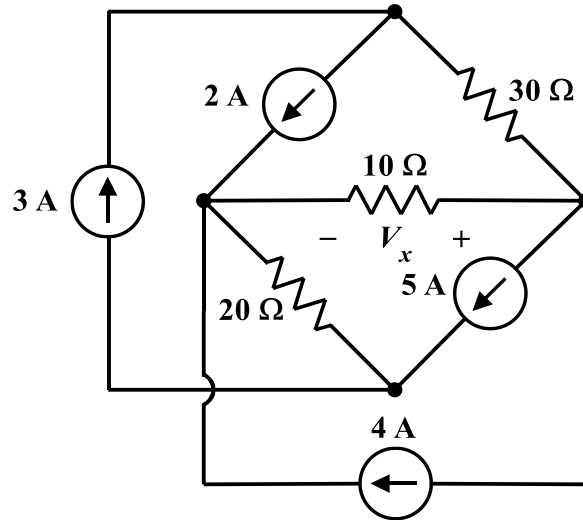


EE/EET 2240
Homework Problem 019



Use LTspice to determine the value of V_x . Submit a complete printed copy of your netlist and the output, and highlight the answer in some obvious manner. (Don't forget to put a personal identifier in the title line of your netlist).