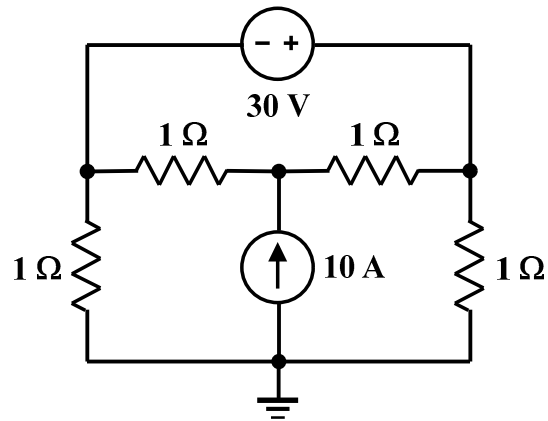


EE/EET 2240  
**Homework Problem 018**



- a. Express mesh equations in the matrix form discussed in class.
- b. Solve the equations and determine whether the 30 V source is *delivering* or *absorbing* power, and how much.