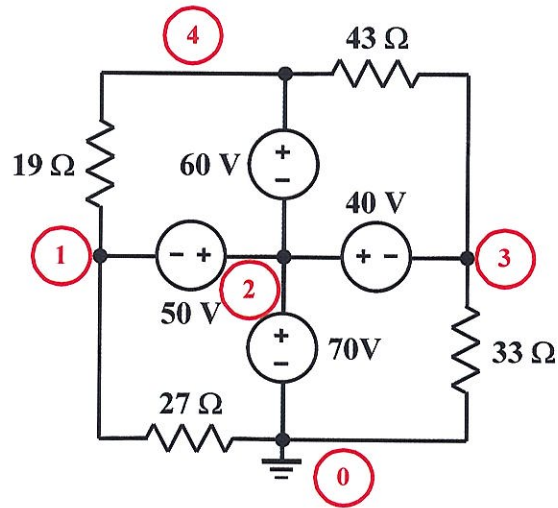


EE/EET 2240
Homework Problem 014

Determine the value of each of the four node voltages using a method of your choosing.



$$V_2 = 70V$$

$$V_1 = V_2 - 50V = 20V$$

$$V_3 = V_2 - 40V = 30V$$

$$V_4 = V_2 + 60V = 130V$$