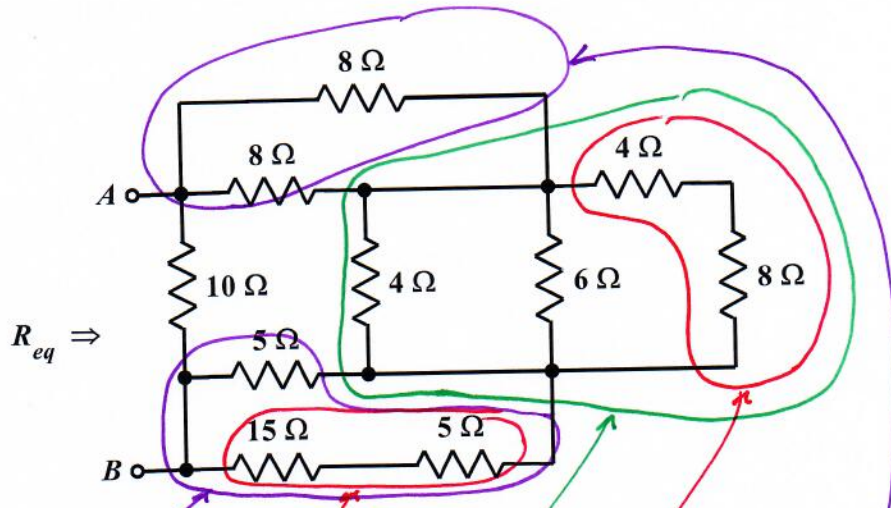


EE/EET 2240  
**Homework Problem #007**



Determine the value of  $R_{eq}$ , the equivalent resistance with respect to terminal pair A-B.

$$15\Omega + 5\Omega = 20\Omega$$

$$20\Omega \parallel 5\Omega = 4\Omega$$

$$4\Omega \parallel 6\Omega \parallel 12\Omega = 2\Omega$$

$$4\Omega + 8\Omega = 12\Omega$$

$$8\Omega \parallel 8\Omega = 4\Omega$$

$$R_{eq} = 10\Omega \parallel (4\Omega + 2\Omega + 4\Omega)$$

$$= 5\Omega$$