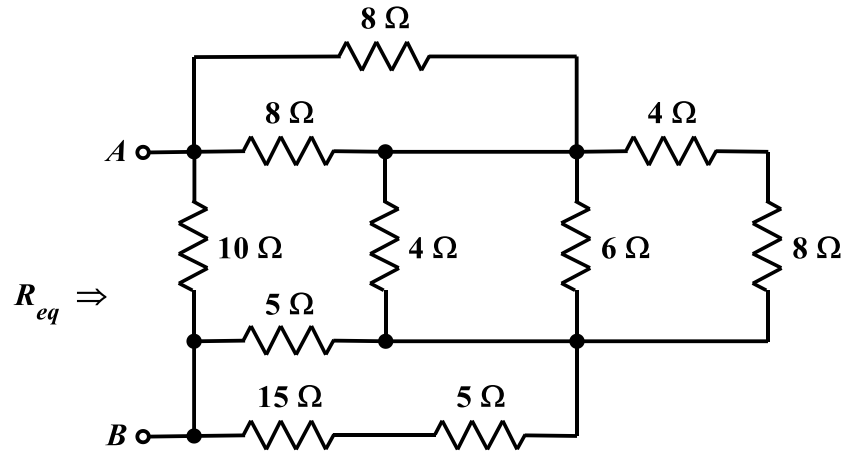


EE/EET 2240  
**Homework Problem 007**



Determine the value of  $R_{eq}$ , the equivalent resistance with respect to terminal pair A-B.