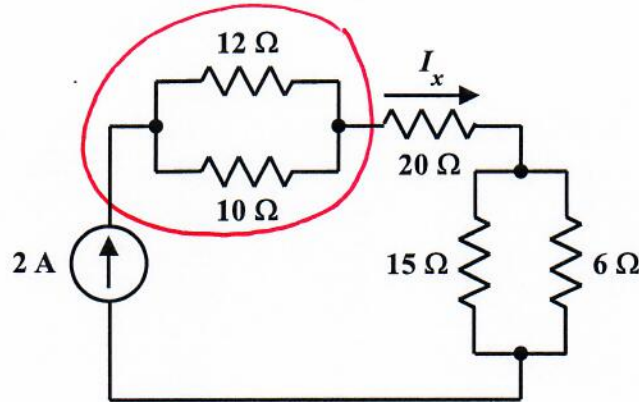


EE/EET 2240
Homework Problem #002

Find I_x in each circuit.

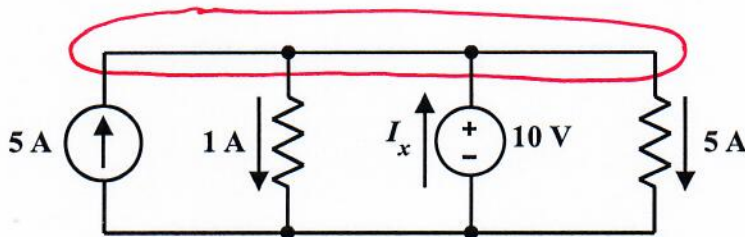
a.



$$2A - I_x = 0$$

$$\Rightarrow I_x = 2A$$

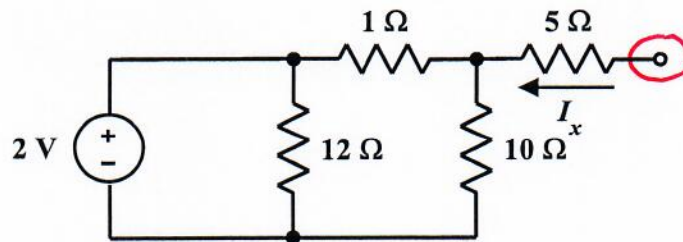
b.



$$5A - 1A + I_x - 5A = 0$$

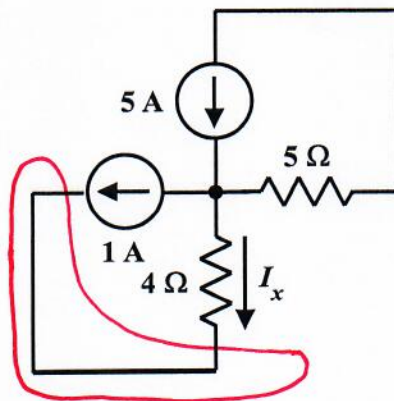
$$\Rightarrow I_x = 1A$$

c.



$$I_x = 0$$

d.



$$1A + I_x = 0$$

$$\Rightarrow I_x = -1A$$