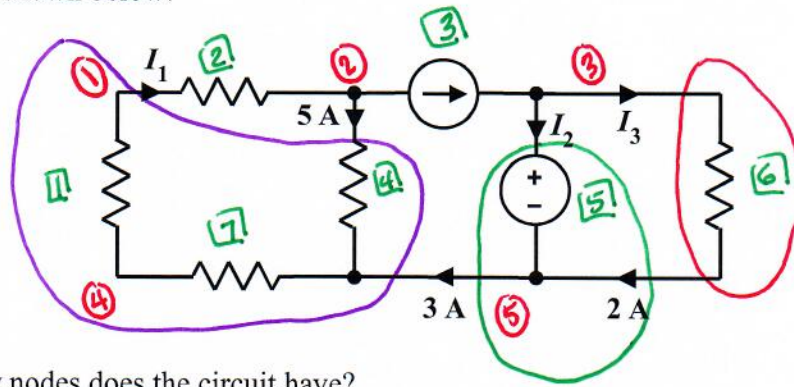


EE/EET 2240  
**Homework Problem 001**

For the circuit shown below:



a. How many nodes does the circuit have?

5

b. How many branches (components) make up the circuit?

7

c. Determine the value of  $I_1$ .

$$I_1 - 5 - 3 = 0 \Rightarrow I_1 = 8A$$

d. Determine the value of  $I_2$ .

$$I_2 + 2 - 3 = 0 \Rightarrow I_2 = 1A$$

e. Determine the value of  $I_3$ .

$$I_3 - 2 = 0 \Rightarrow I_3 = 2A$$