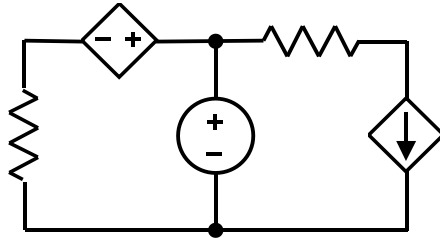


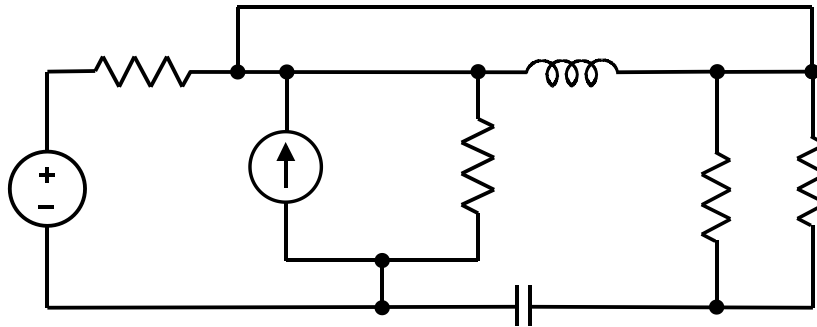
EE/EET 2240
Homework Problem #001

For each of the following circuits, determine the number of components and the number of nodes.

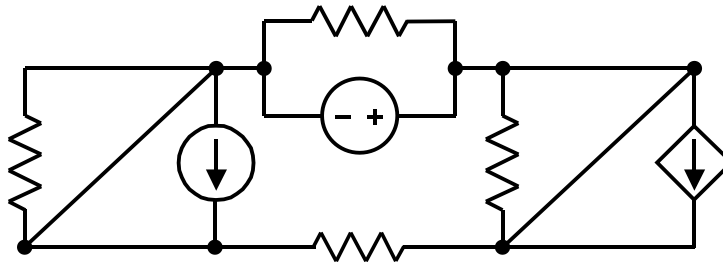
a.



b.



c.



d.

